



SINCE MORE THAN 20 YEARS, THE VETEDY GROUP HAS SPECIALISED IN THE PRODUCTION AND DISTRIBUTION OF EXOTIC TIMBERS, BOTH FOR OUTDOOR GARDEN DECKING AND INDOOR FLOORING.

Vetedy Group has grown at an incredible rate, thanks mainly to its revolutionary *Softline*® system which enables exterior decking to be fitted with no visible screws or oxidation.

Always at the forefront of innovation Vetedy has now developed *Techniclic*® – a new and exciting product. Taking *Softline*® as its inspiration, *Techniclic*® now enables walls and ceilings to be clad in timber using hidden fixings with no visible screws. Extremely fast installations are also possible with this ingenious design.

Vetedy is an International group located in Luxembourg, Belgium, Cameroon and Indonesia and is represented the world over by its network of distributors.



CONTACT

Tel. : (+352) 26 30 61-1
Fax : (+352) 26 30 61-61
info@vetedy.com

VETEDY LUXEMBOURG S.A.

39 route d'Arlon
L-8410 STEINFORT
GRAND DUCHY OF LUXEMBOURG

VETEDY BELGIUM S.A.

50 zone artisanale
de Weyler
B-6700 ARLON
BELGIUM

VETEDY CAMEROUN S.À R.L.

BP 4363 NLONGKAK
YAOUNDE
CAMEROON

PT VETEDY INDONESIA

Jl. Bukit Darmo Boulevard
Office Park 2 B2 No. 11
SURABAYA INDONESIA

www.vetedy.com

It is an international organization composed of organizations' representatives of environmental protection, organizations defending the rights of indigenous peoples, forest and wood products dealers. By adhering to this charter, the Vetedy Group affirms its commitment to ensuring the preservation of our nature and attaches particular attention to respect for the rational management of natural resources and the equitable distribution of income in the country of production.



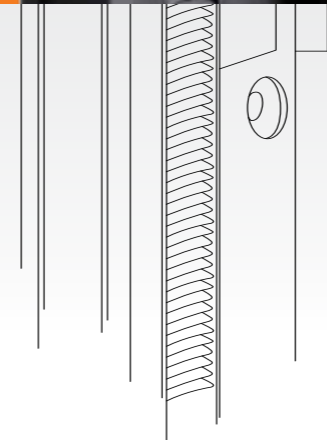
EN 07/2019 Non contractual document



SIMPLE. FAST. INVISIBLE.



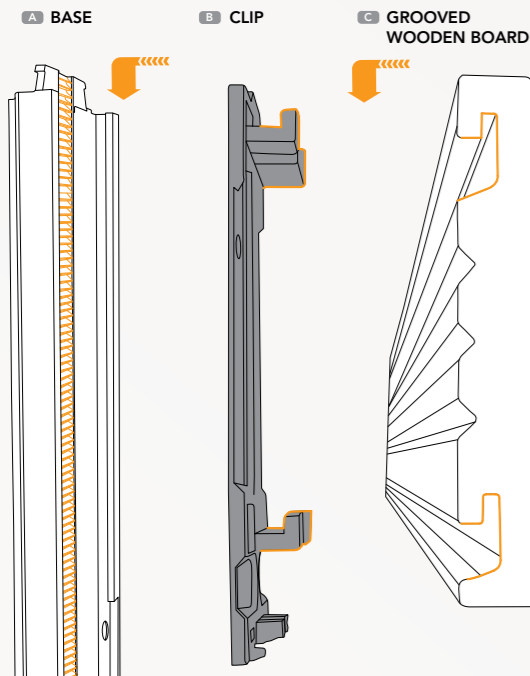
Techniclic®, YOUR SYSTEM FOR CLADDINGS, WALLS AND CEILINGS COVERING IN WOOD WITH INVISIBLE FIXATION.





A SYSTEM FOR CLADDING WALLS AND CEILINGS IN WOOD USING INVISIBLE FIXATION

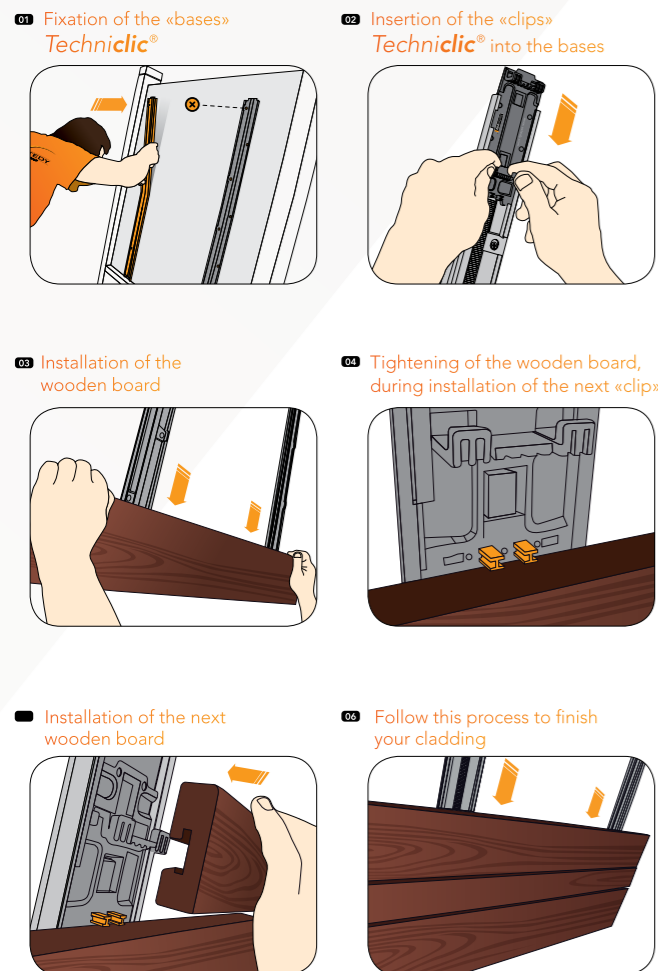
This simple concept will save you a significant amount of installation time over traditional systems. The cladding board, available in a variety of native species and in three different widths, is affixed to the **Techniclic**® clip which in turn slides into the notched bases. This system provides an unparalleled level of precision and gives a perfect result every time.



THE ADVANTAGES OF **Techniclic**®

- Faster installation than usual system
- Invisible fixation (no visible screws)
- Available in 3 board widths: 60, 100 and 140 mm
- Open joint system allowing ventilation
- Fixation in ultra resistant composite material
- Easy removing and replacing of a wooden board
- Wooden board jointing to the millimeter
- No contact wood against wood

THIS IS HOW TO INSTALL THE **Techniclic**® CLADDING



THERE ARE 4 POSSIBLE SPACES BETWEEN EACH PLANK

Thanks to the Spacer, a simple accessory which is simply clipped on the fixation, it is possible to widen the gap with 3 different sizes.



THE + OF THE SPACERS

- > 4 possible spacings (also mixable)
- > Contemporary effect / modern
- > Ventilation of the cladding
- > Accentuation of the openwork character



A VETEDY **WORLDWIDE EXCLUSIVE INNOVATION.** SIMPLE. FAST. INVISIBLE.

OUR SELECTED **WOODEN SPECIES**

WOODEN SPECIES	THERMO	60 mm	100 mm	140 mm
European Ash	●	●	●	●
Ayous	●	●	●	●
Northern Pine	●	●	●	●
Siberian Larch		●		
Padouk		●	●	
Jaya		●	●	
Teak Unijoint		●	●	

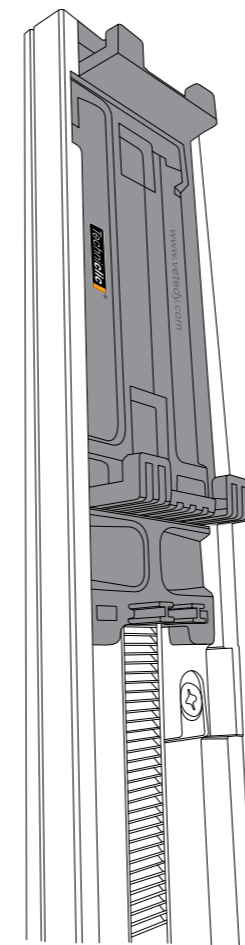
LAYOUT OF THE **WORLDWIDE PATENTED SYSTEM**

Techniclic®

Outdoor and indoor on cladding, walls and ceiling.

Available in 3 widths, the **Techniclic**® system gives you many possibilities.

Your own personalised design.



TWO POSSIBLE WAY OF INSTALLATION



> Vertical installation



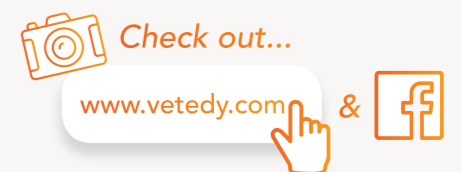
> Horizontal installation

FINALLY, MIX EVERYTHING !

It is possible to mix:

- all the board widths: e.g.: 60-100-140-100-60mm...
- all spaces: e.g.: 6-10-6-10-20-10-6-10-6...
- all board with combined to all spaces: e.g.: 60-6-100-10-140-6-100... etc.

Over 200 different combination with a single product !



New pictures every 3 days !